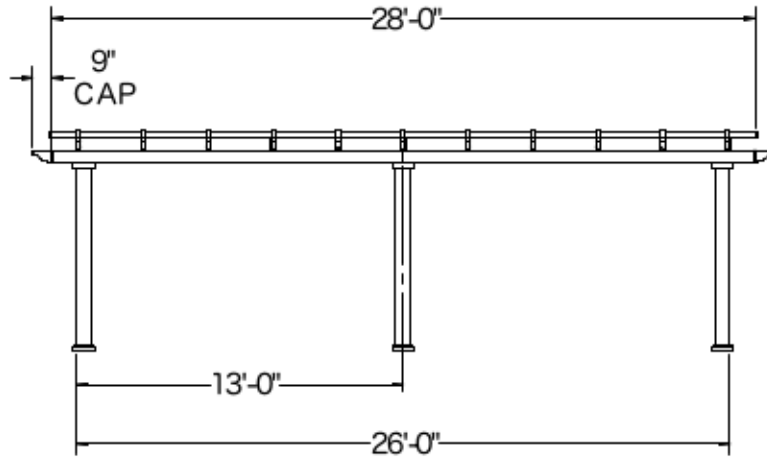


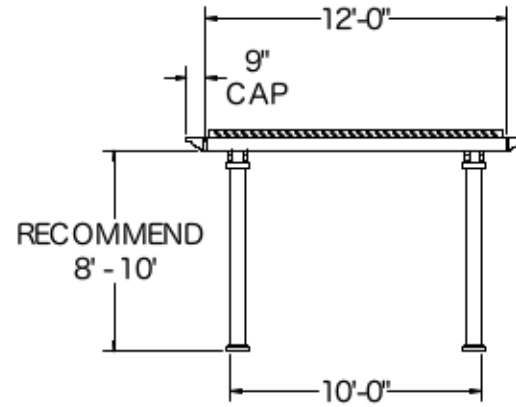
FRONT ELEVATION



Post on Center Measurement

5" Square Post	307"
7" Square Column	301 1/2"
7" Round Column	301 1/2"
10" Round Column	299 3/4"

SIDE ELEVATION



Center of Post to Structure Measurement

5" Square Post	115"
7" Square Column	109 1/2"
7" Round Column	109 1/2"
10" Round Column	107 3/4"

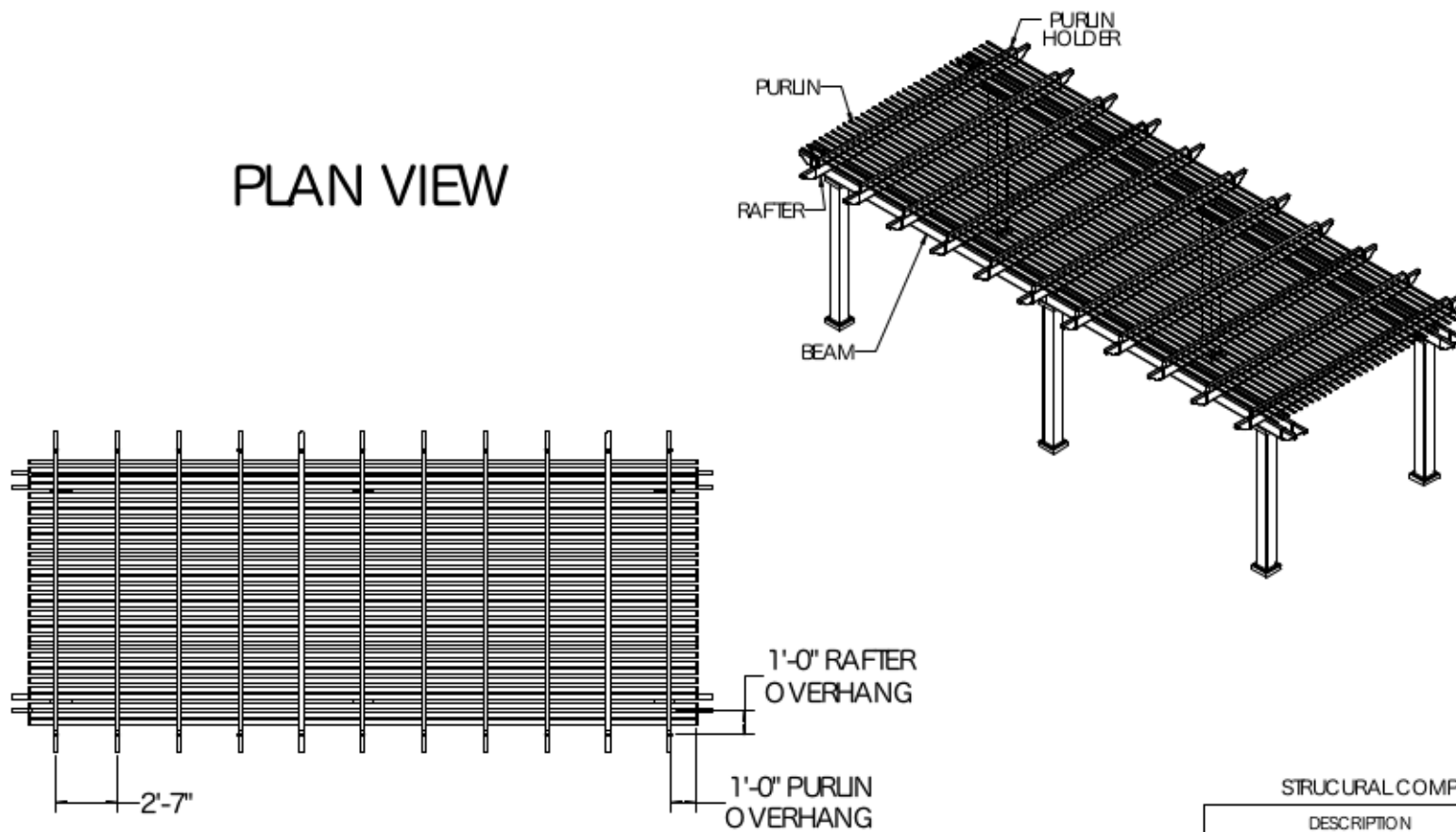
12' x 28' FREESTANDING PERGOLA

SunsetPergolaKits.com

1-800-430-1690

Sunset
PERGOLA KITS

PLAN VIEW



STRUCTURAL COMPONENTS

DESCRIPTION	QTY.
7" COLUMN ASSY WITH POSTMOUNT	6
2 x 6 BEAM WITH ALUMINUM INSERT	8
2 x 6 RAFTER WITH ALUMINUM INSERT	11
2 x 6 PERGOLA CAP	30
2 x 3 1/2 PURLIN HOLDER	11
2 x 3 1/2 RAFT CAP	22
7/8 x 3 PURLIN (STD SPACING)	32
7/8 x 3 PURLIN CAP (STD SPACING)	64

12' x 28' FREESTANDING PERGOLA

SunsetPergolaKits.com

1-800-430-1690

Sunset
PERGOLA KITS