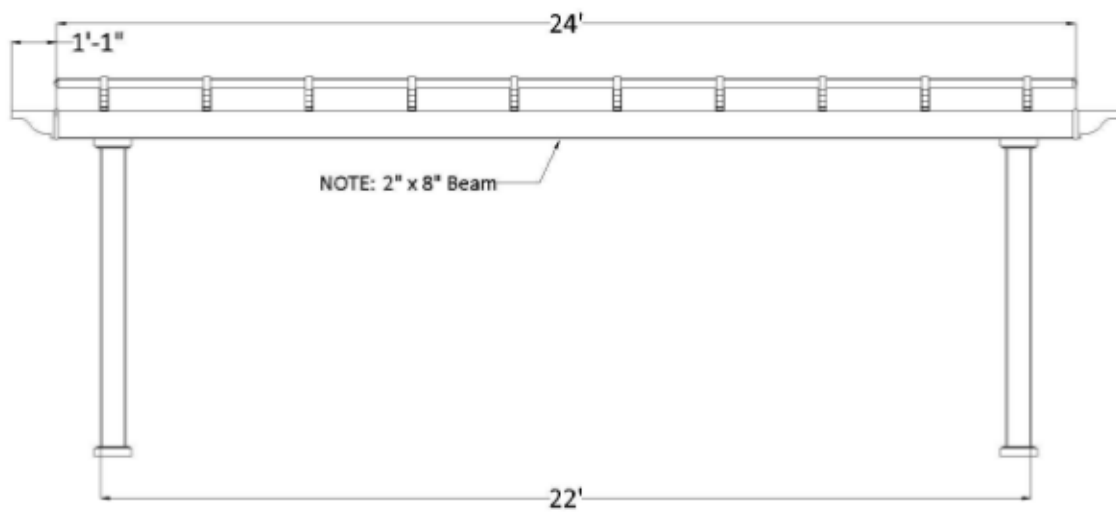
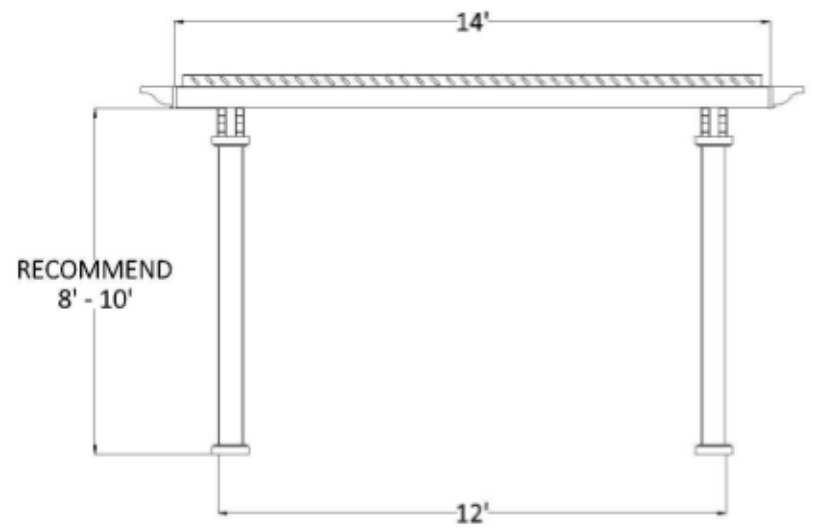


FRONT ELEVATION



NOTE: 2" x 8" Beam

SIDE ELEVATION



Post on Center Measurement

5" Square Post	259"
7" Square Column	253 1/2"
7" Round Column	253 1/2"
10" Round Column	251 3/4"

Center of Post to Structure Measurement

5" Square Post	139"
7" Square Column	133 1/2"
7" Round Column	133 1/2"
10" Round Column	131 3/4"

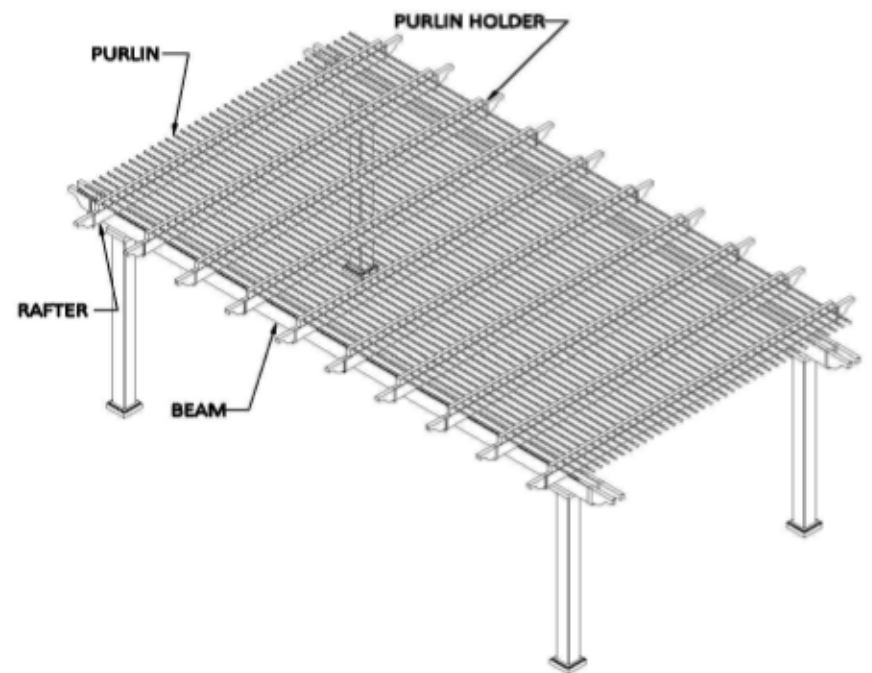
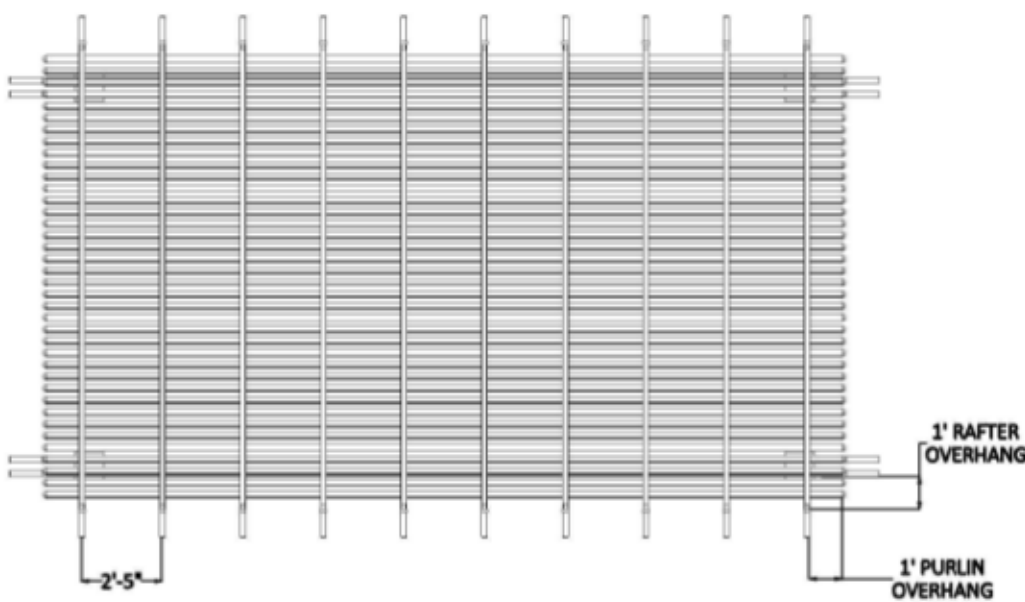
14' x 24' FREESTANDING PERGOLA

SunsetPergolaKits.com

1-800-430-1690



PLAN VIEW



STRUCTURAL COMPONENTS

DESCRIPTION	QTY.
7" COLUMN ASSEMBLY W POST MOUNT	4
2 X 8 BEAM WITH ALUMINUM INSERT	4
2 X 6 RAFTER WITH ALUMINUM INSERT	10
PERGOLA CAP	28
2 X 3 1/2 PURLIN HOLDER	10
2 X 3 1/2 FLAT CAP	20
3/4 X 3 PURLIN (STD SPACING)	38
3/4 X 3 PURLIN CAP	76

14' x 24' FREESTANDING PERGOLA

SunsetPergolaKits.com

1-800-430-1690

