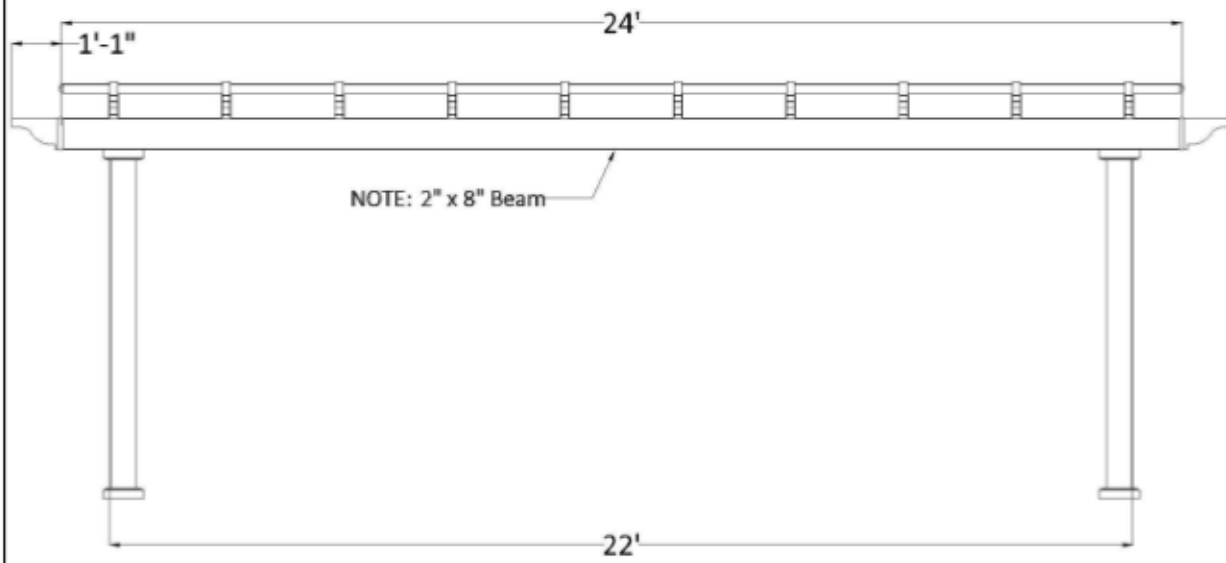
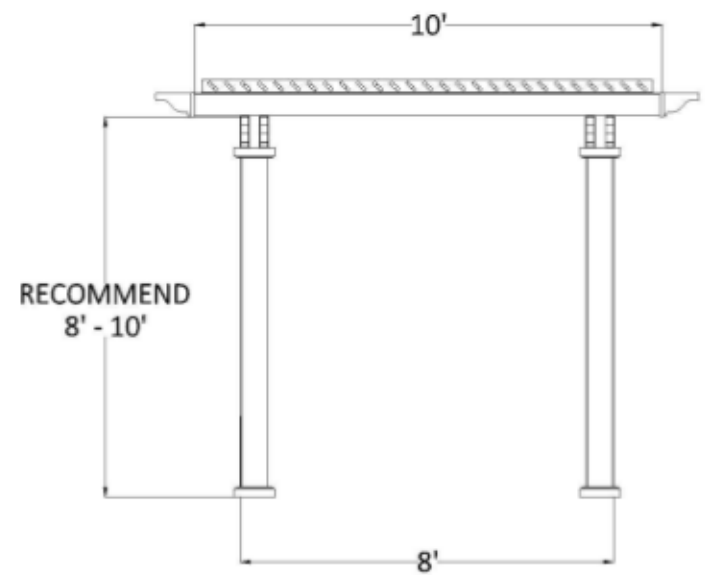


# FRONT ELEVATION



# SIDE ELEVATION



### Post on Center Measurement

5" Square Post	259"
7" Square Column	253 1/2"
7" Round Column	253 1/2"
10" Round Column	251 3/4"

### Center of Post to Structure Measurement

5" Square Post	91"
7" Square Column	85 1/2"
7" Round Column	85 1/2"
10" Round Column	83 3/4"

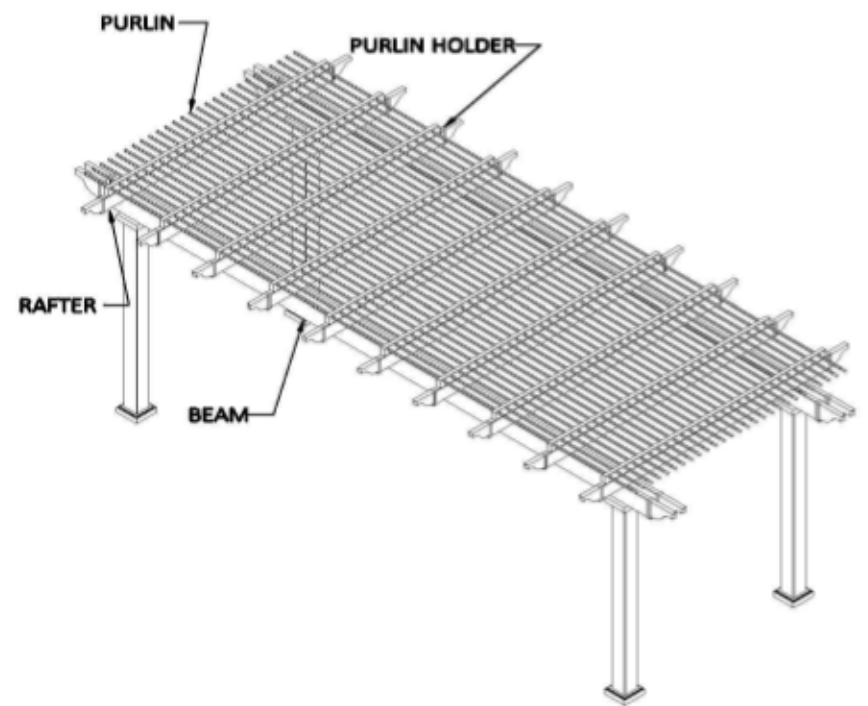
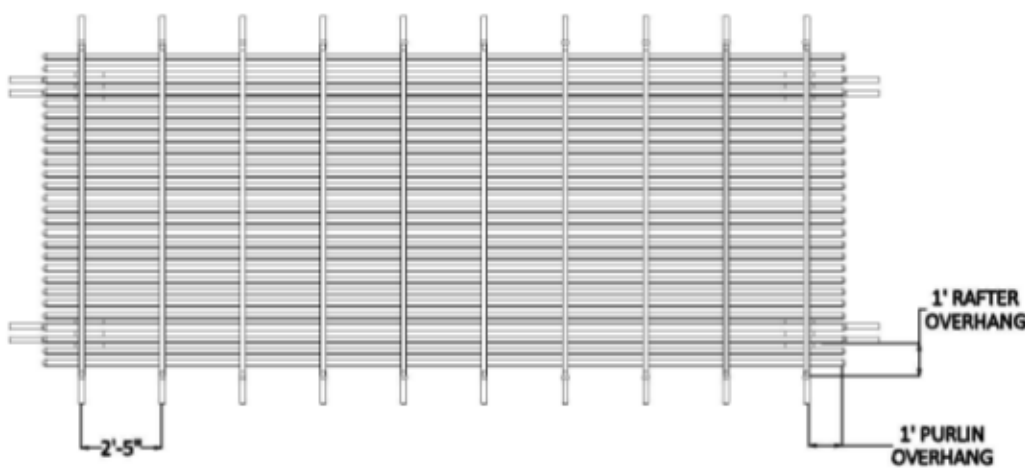
10' x 24' FREESTANDING PERGOLA

SunsetPergolaKits.com

1-800-430-1690



# PLAN VIEW



### STRUCTURAL COMPONENTS

DESCRIPTION	QTY.
7" COLUMN ASSEMBLY W POST MOUNT	4
2 X 8 BEAM WITH ALUMINUM INSERT	4
2 X 6 RAFTER WITH ALUMINUM INSERT	10
PERGOLA CAP	28
2 X 3 1/2" PURLIN HOLDER	10
2 X 3 1/2" FLAT CAP	20
3/4" X 3 PURLIN (STD SPACING)	27
3/4" X 3 PURLIN CAP	54

10' x 24' FREESTANDING PERGOLA

SunsetPergolaKits.com

1-800-430-1690

