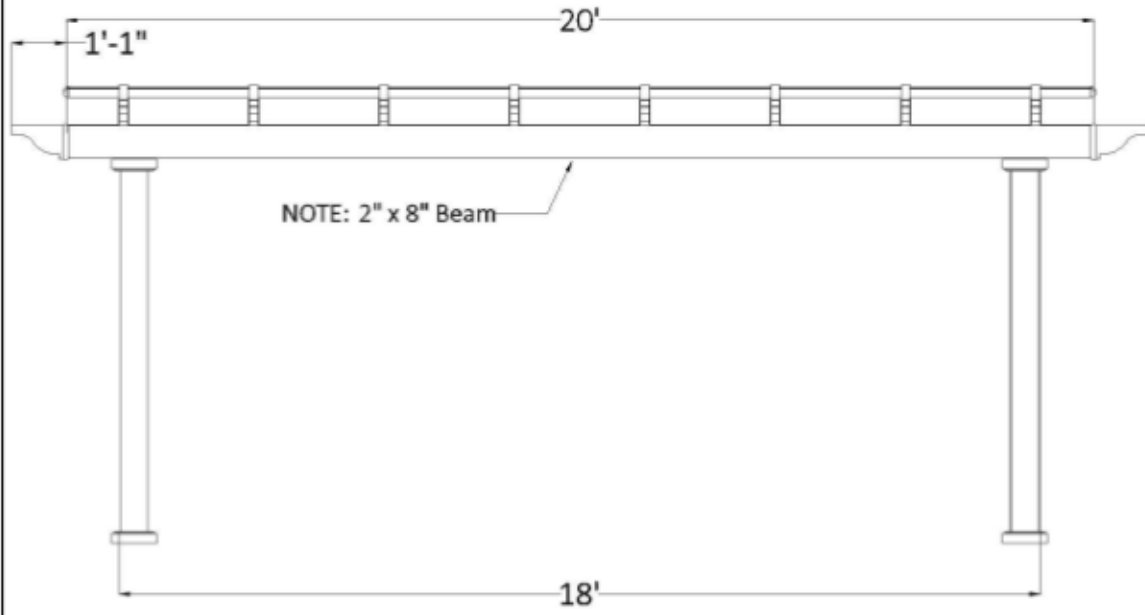


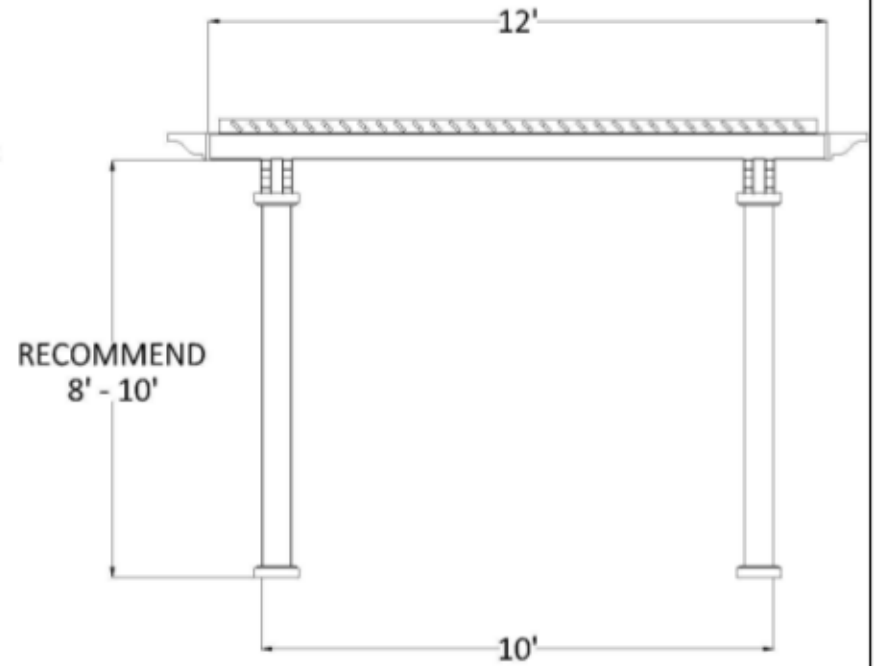
# FRONT ELEVATION



### Post on Center Measurement

5" Square Post	211"
7" Square Column	205 1/2"
7" Round Column	205 1/2"
10" Round Column	203 3/4"

# SIDE ELEVATION



### Center of Post to Structure Measurement

5" Square Post	115"
7" Square Column	109 1/2"
7" Round Column	109 1/2"
10" Round Column	107 3/4"

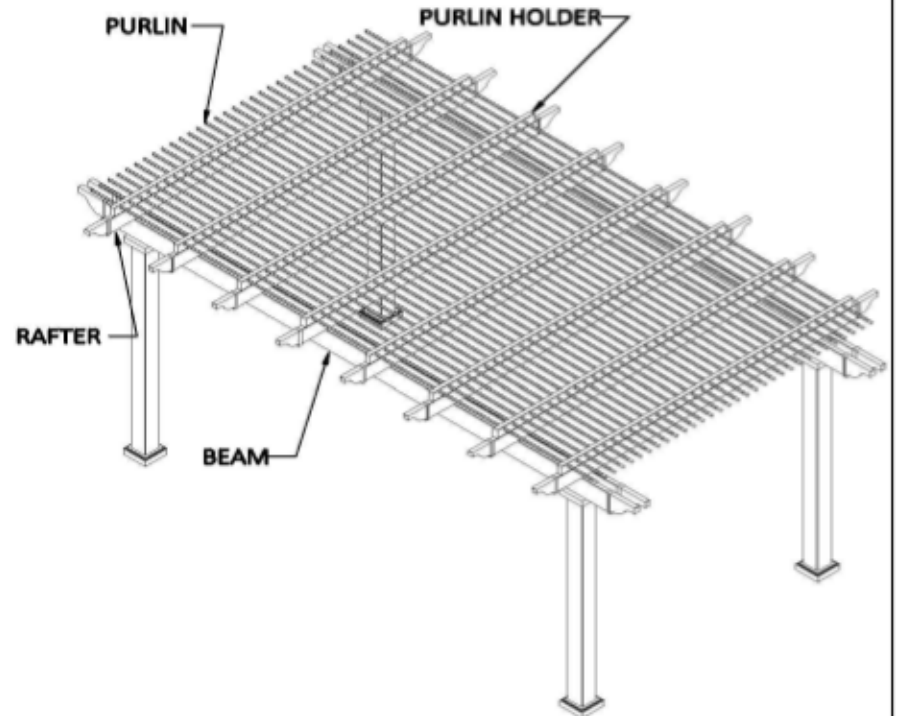
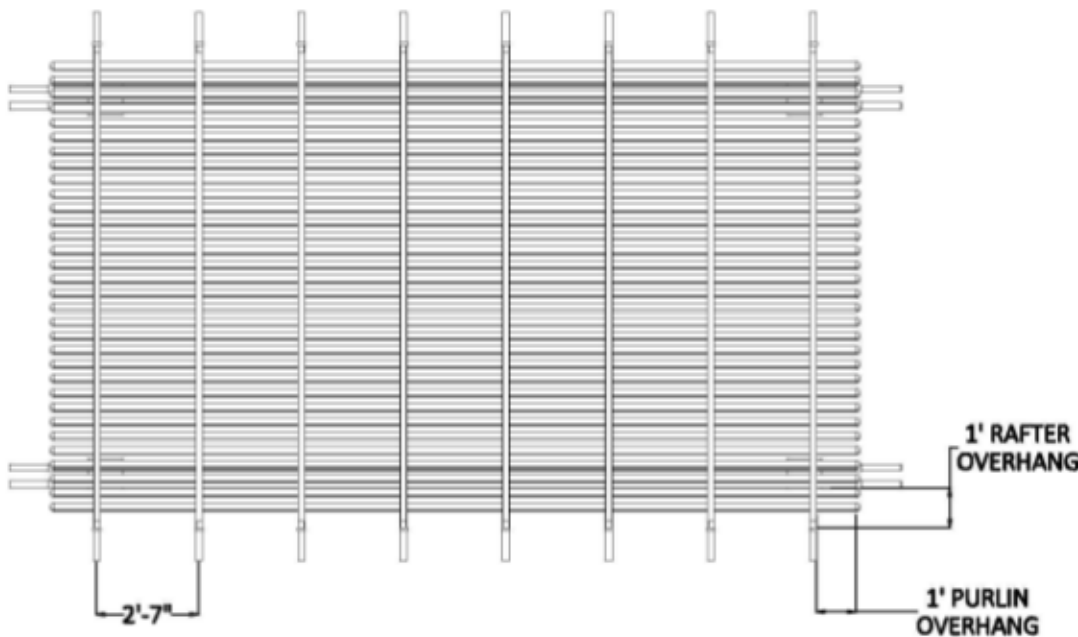
12' x 20' FREESTANDING PERGOLA

SunsetPergolaKits.com

1-800-430-1690



# PLAN VIEW



### STRUCTURAL COMPONENTS

DESCRIPTION	QTY.
7" COLUMN ASSEMBLY W POST MOUNT	4
2 X 8 BEAM WITH ALUMINUM INSERT	4
2 X 6 RAFTER WITH ALUMINUM INSERT	8
PERGOLA CAP	24
2 X 3 1/2" PURLIN HOLDER	8
2 X 3 1/2" FLAT CAP	16
3/4" X 3" PURLIN (STD SPACING)	32
3/4" X 3" PURLIN CAP	64

12' x 20' FREESTANDING PERGOLA

SunsetPergolaKits.com

1-800-430-1690

