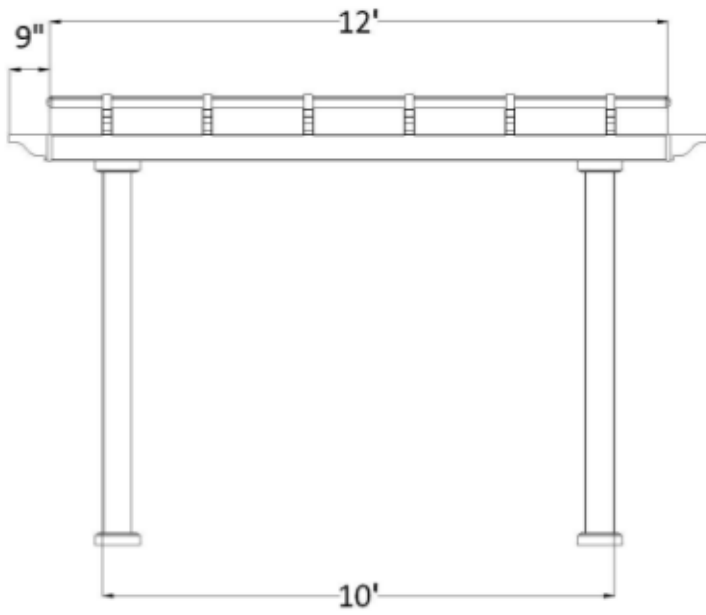


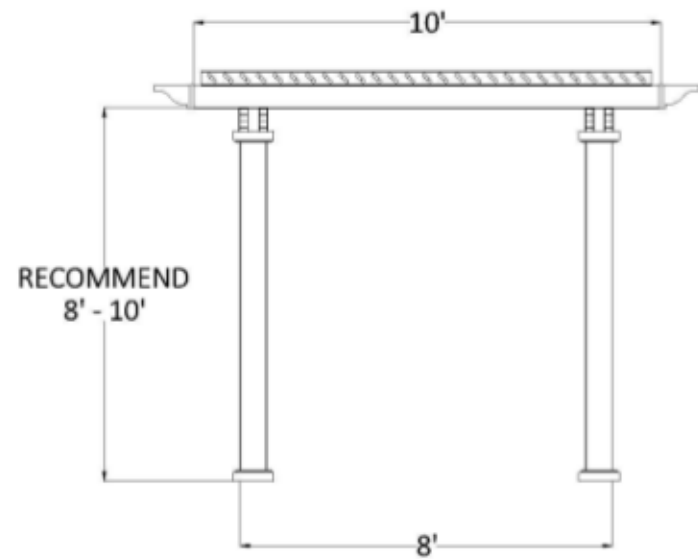
FRONT ELEVATION



Post on Center Measurement

5" Square Post	115"
7" Square Column	109 1/2"
7" Round Column	109 1/2"
10" Round Column	107 3/4"

SIDE ELEVATION



Center of Post to Structure Measurement

5" Square Post	91"
7" Square Column	85 1/2"
7" Round Column	85 1/2"
10" Round Column	83 3/4"

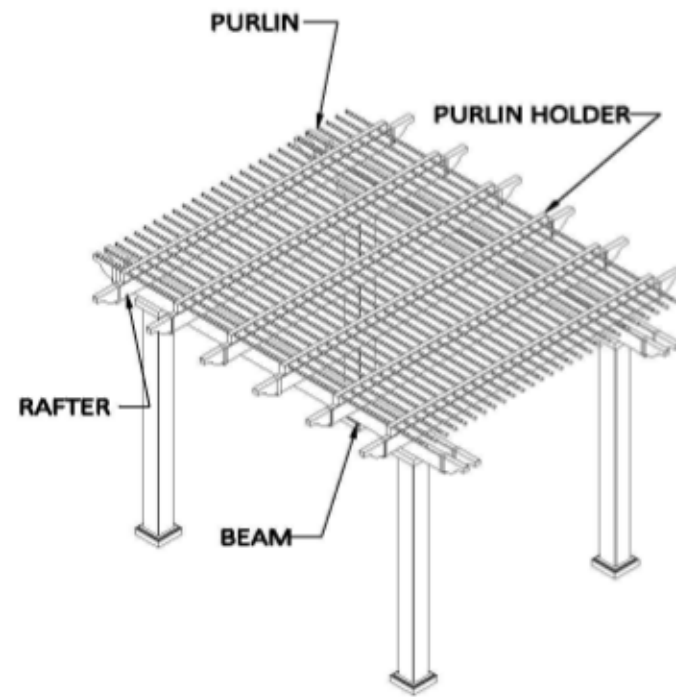
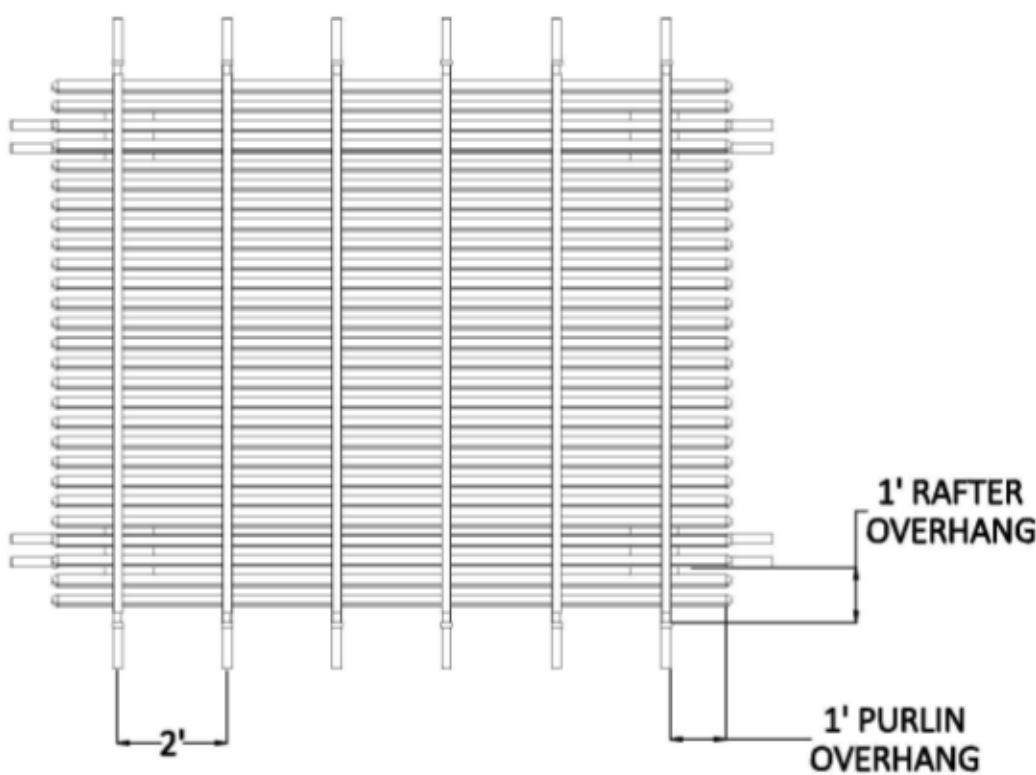
10' x 12' FREESTANDING PERGOLA

SunsetPergolaKits.com

1-800-430-1690



PLAN VIEW



STRUCTURAL COMPONENTS

DESCRIPTION	QTY.
7" COLUMN ASSEMBLY W POST MOUNT	4
2 X 6 BEAM WITH ALUMINUM INSERT	4
2 X 6 RAFTER WITH ALUMINUM INSERT	6
2 X 6 PERGOLA CAP	20
2 X 3 1/2" PURLIN HOLDER	6
2 X 3 1/2" FLAT CAP	12
3/4" X 3 PURLIN (STD SPACING)	27
3/4" X 3 PURLIN CAP	54

10' x 12' FREESTANDING PERGOLA

SunsetPergolaKits.com

1-800-430-1690

