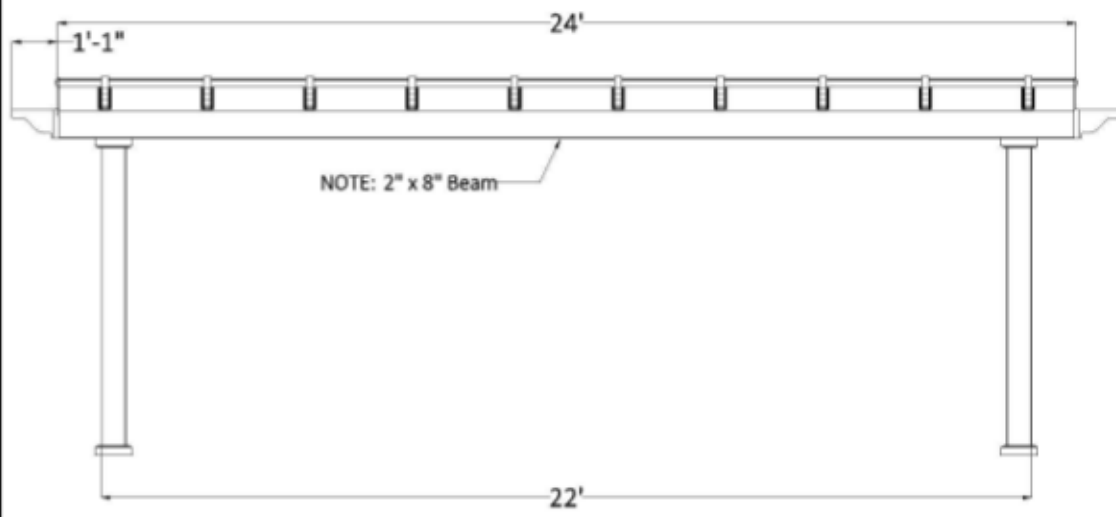


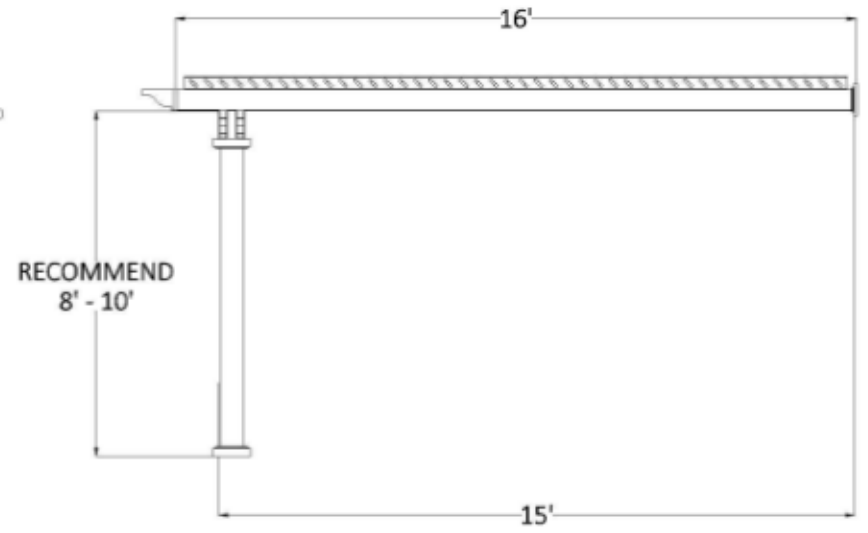
# FRONT ELEVATION



### Post on Center Measurement

|                  |          |
|------------------|----------|
| 5" Square Post   | 259"     |
| 7" Square Column | 253 1/2" |
| 7" Round Column  | 253 1/2" |
| 10" Round Column | 251 3/4" |

# SIDE ELEVATION



### Center of Post to Structure Measurement

|                  |          |
|------------------|----------|
| 5" Square Post   | 177 1/2" |
| 7" Square Column | 174 3/4" |
| 7" Round Column  | 174 3/4" |
| 10" Round Column | 173 7/8" |

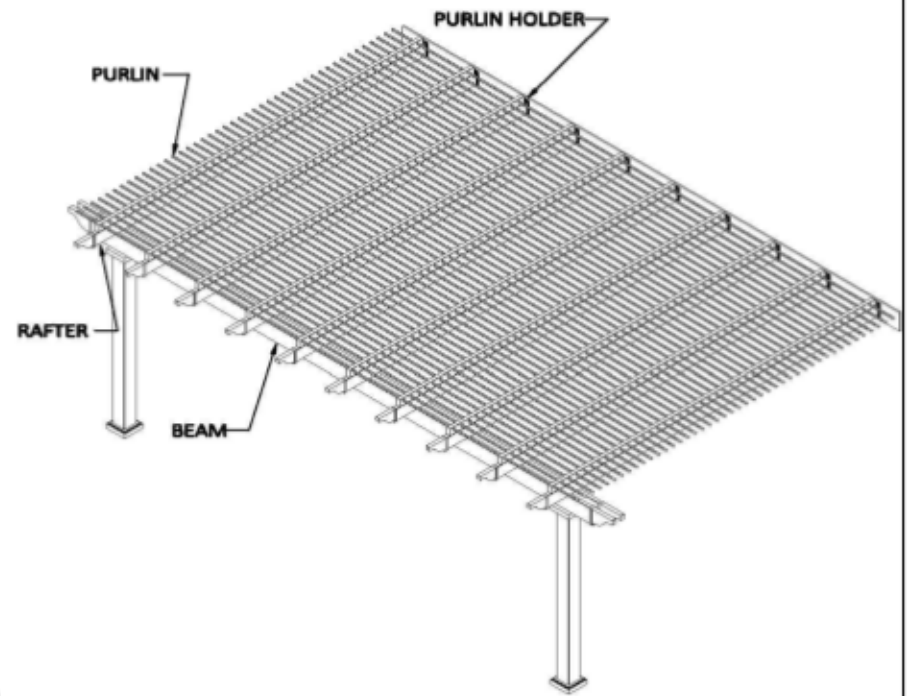
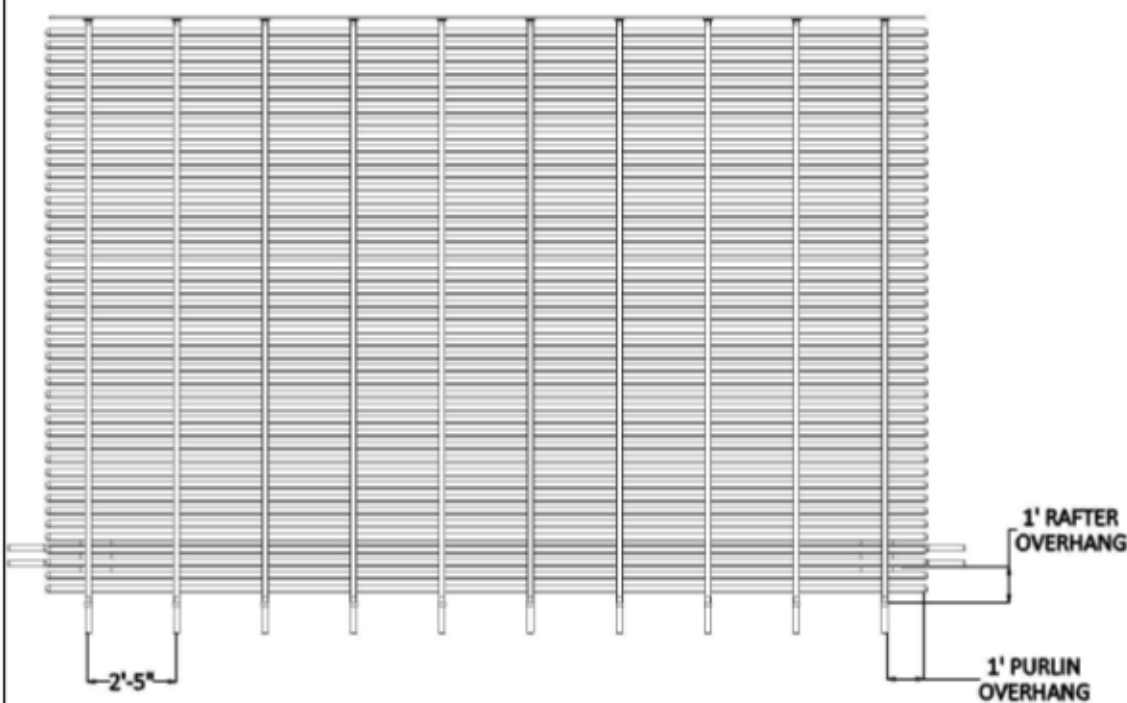
16' x 24' ATTACHED PERGOLA

SunsetPergolaKits.com

1-800-430-1690



# PLAN VIEW



### STRUCTURAL COMPONENTS

| DESCRIPTION                       | QTY. |
|-----------------------------------|------|
| 7" COLUMN ASSEMBLY W POST MOUNT   | 2    |
| 2 X 8 BEAM WITH ALUMINUM INSERT   | 2    |
| 2 X 6 RAFTER WITH ALUMINUM INSERT | 10   |
| PERGOLA CAP                       | 14   |
| 2 X 3 1/2 PURLIN HOLDER           | 10   |
| 2 X 3 1/2 FLAT CAP                | 20   |
| 3/4 X 3 PURLIN (STD SPACING)      | 44   |
| 3/4 X 3 PURLIN CAP                | 88   |
| PVC LEDGER PLATE                  | 1    |

16' x 24' ATTACHED PERGOLA

SunsetPergolaKits.com

1-800-430-1690

