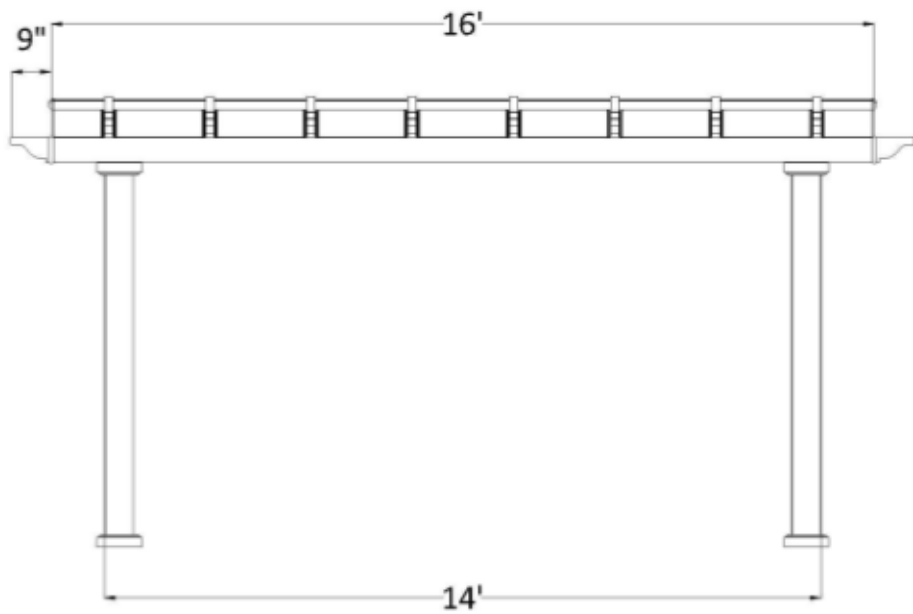


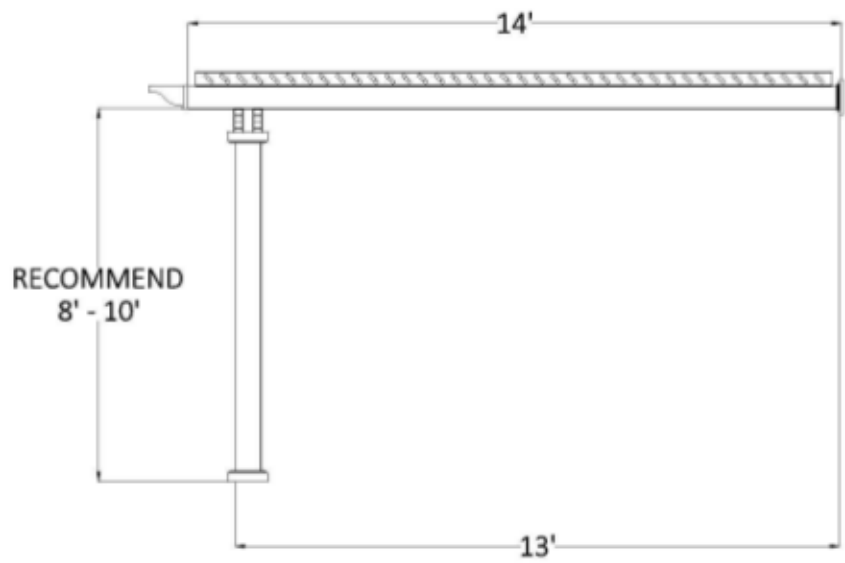
# FRONT ELEVATION



Post on Center Measurement

|                  |          |
|------------------|----------|
| 5" Square Post   | 163"     |
| 7" Square Column | 157 1/2" |
| 7" Round Column  | 157 1/2" |
| 10" Round Column | 155 3/4" |

# SIDE ELEVATION



Center of Post to Structure Measurement

|                  |          |
|------------------|----------|
| 5" Square Post   | 153 1/2" |
| 7" Square Column | 150 3/4" |
| 7" Round Column  | 150 3/4" |
| 10" Round Column | 149 7/8" |

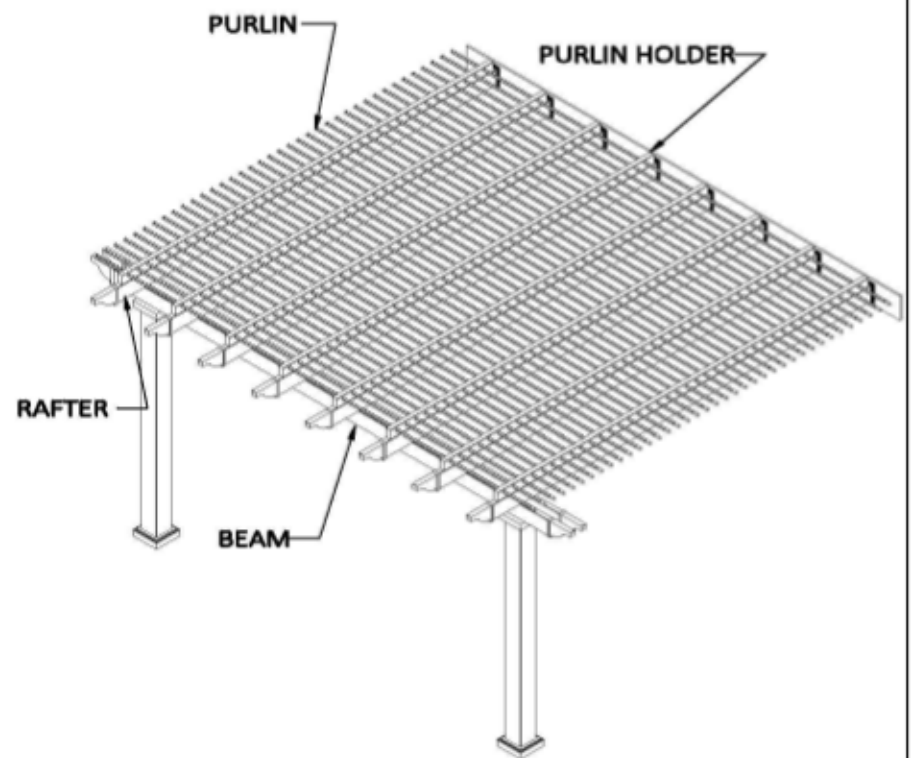
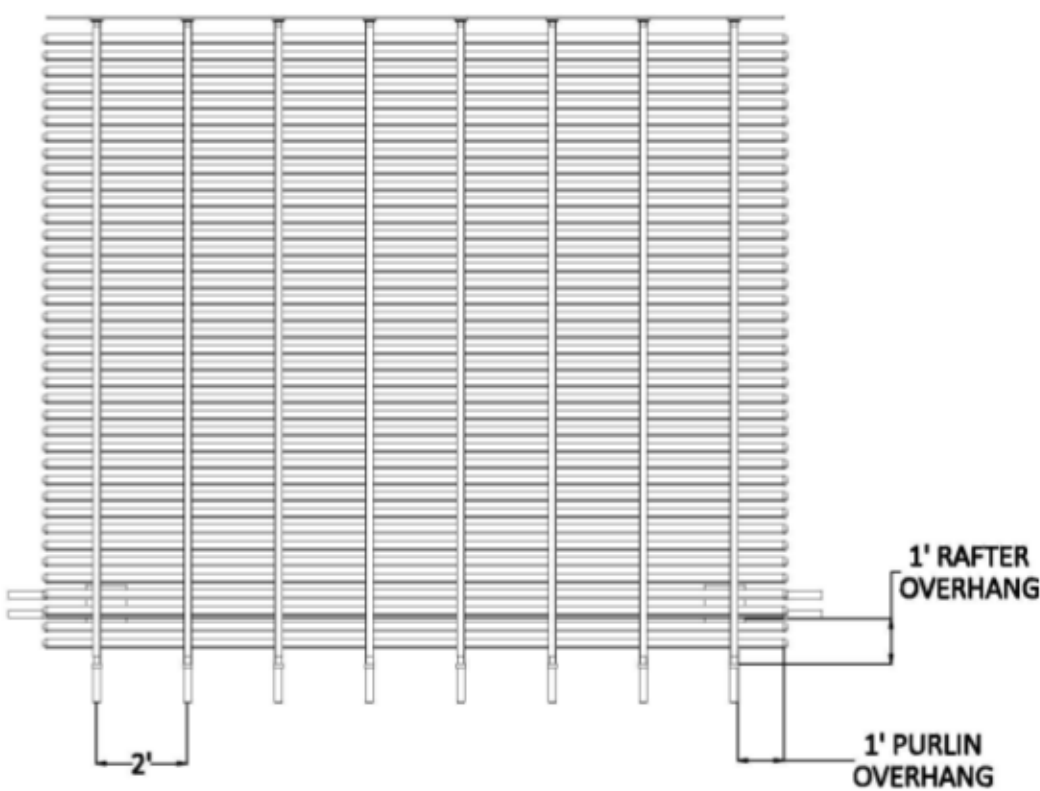
14' x 16' ATTACHED PERGOLA

SunsetPergolaKits.com

1-800-430-1690



# PLAN VIEW



STRUCTURAL COMPONENTS

| DESCRIPTION                       | QTY. |
|-----------------------------------|------|
| 7" COLUMN ASSEMBLY W POST MOUNT   | 2    |
| 2 X 6 BEAM WITH ALUMINUM INSERT   | 2    |
| 2 X 6 RAFTER WITH ALUMINUM INSERT | 8    |
| 2 X 6 PERGOLA CAP                 | 12   |
| 2 X 3 1/2" PURLIN HOLDER          | 8    |
| 2 X 3 1/2" FLAT CAP               | 16   |
| 3/4" X 3" PURLIN (STD SPACING)    | 38   |
| 3/4" X 3" PURLIN CAP              | 76   |
| PVC LEDGER PLATE                  | 1    |

14' x 16' ATTACHED PERGOLA

SunsetPergolaKits.com

1-800-430-1690

