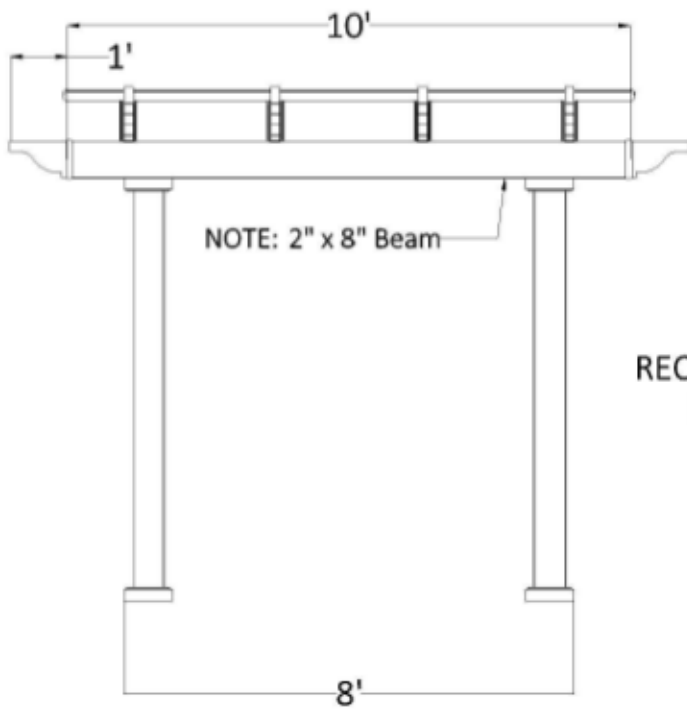
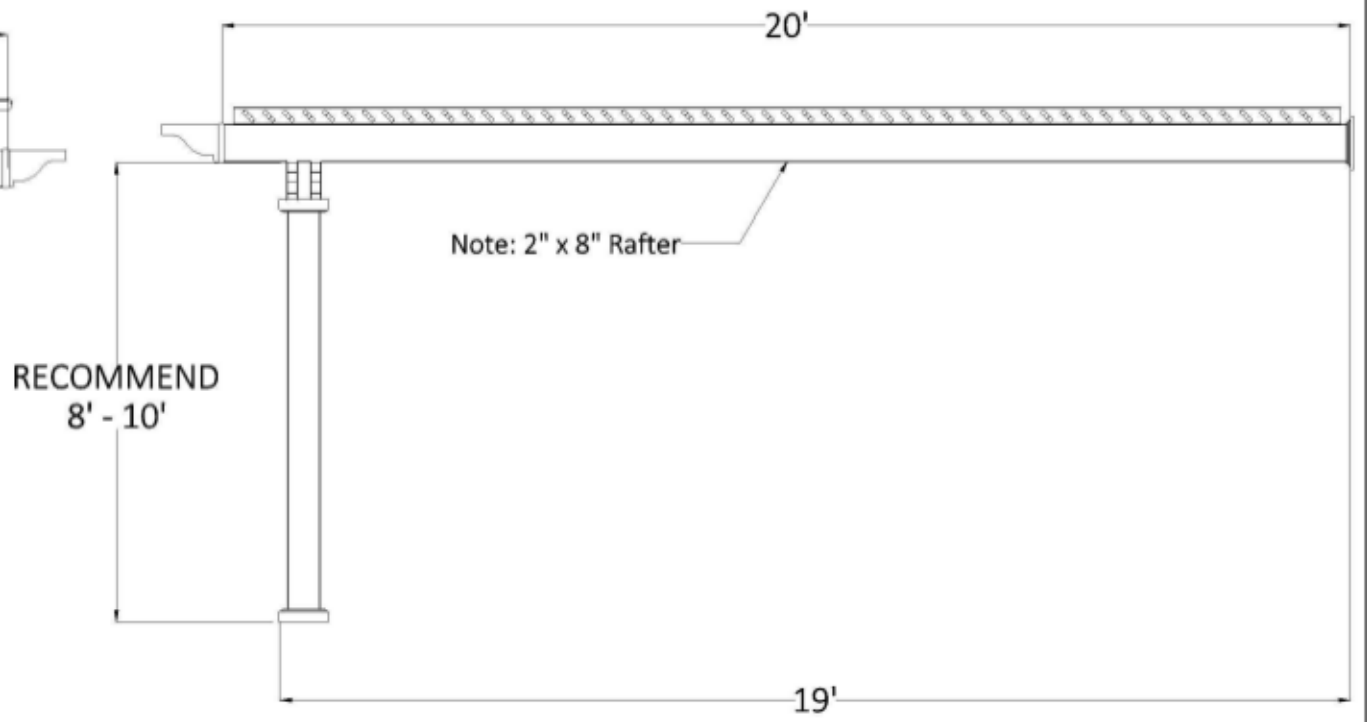


FRONT ELEVATION



SIDE ELEVATION



Post On Center Measurement

5" Square Post	91
7" Square Column	85 1/2"
7" Round Column	85 1/2"
10" Round Column	83 3/4"

Center of Post to Structure Measurement

5" Square Post	225 1/2"
7" Square Column	222 3/4"
7" Round Column	222 3/4"
10" Round Column	221 7/8"

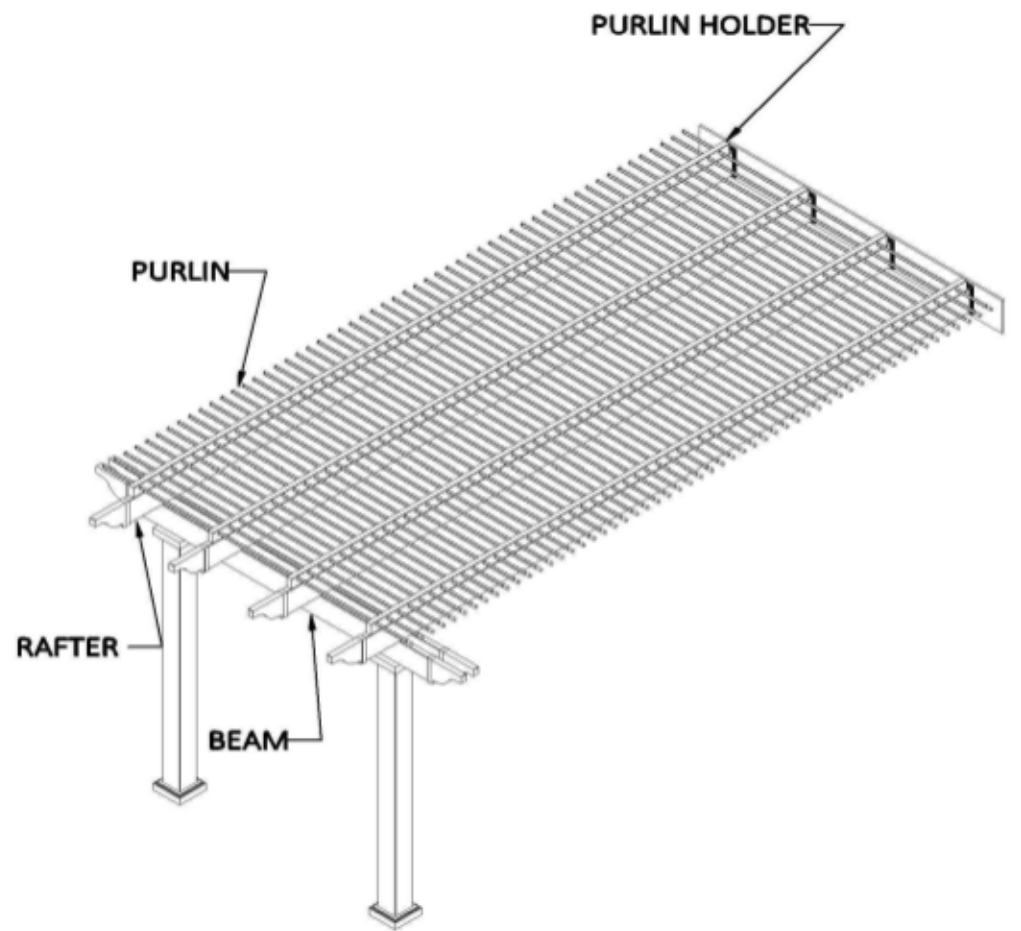
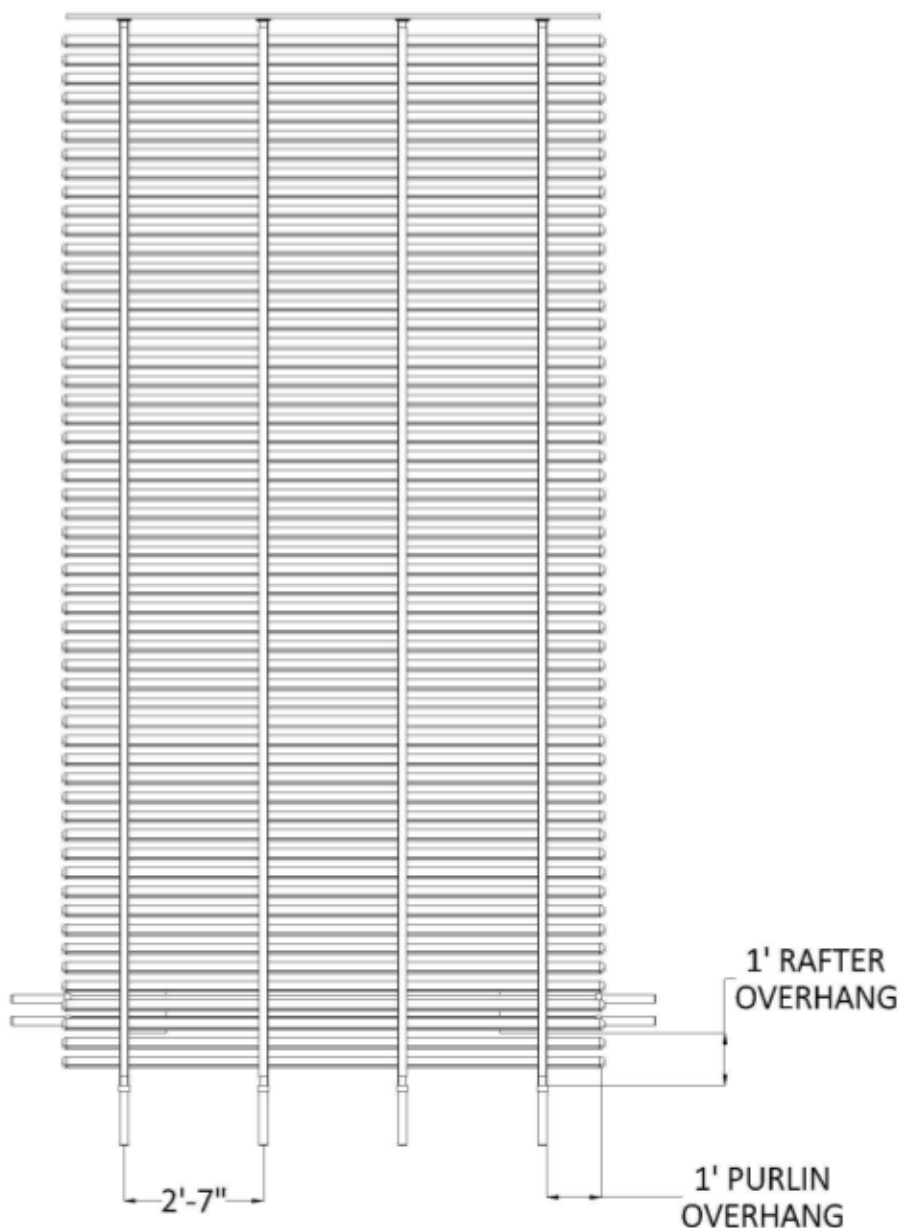
20' x 10' ATTACHED PERGOLA

SunsetPergolaKits.com

800-430-1690



PLAN VIEW



STRUCTURAL COMPONENTS

DESCRIPTION	QTY.
7" COLUMN ASSEMBLY W POST MOUNT	2
2 X 8 BEAM WITH ALUMINUM INSERT	2
2 X 8 RAFTER WITH ALUMINUM INSERT	4
2 X 8 PERGOLA CAP	8
2 X 3 1/2 PURLIN HOLDER	4
2 X 3 1/2 FLAT CAP	8
3/4 X 3 PURLIN (STD SPACING)	55
3/4 X 3 PURLIN CAP	110
PVC LEDGER PLATE	1

20' x 10' ATTACHED PERGOLA

SunsetPergolaKits.com

800-430-1690

