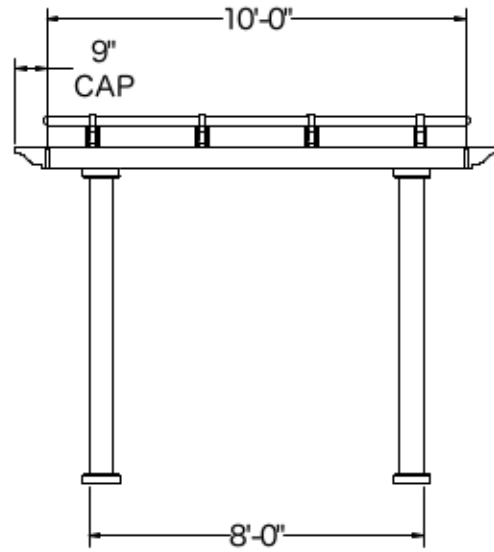


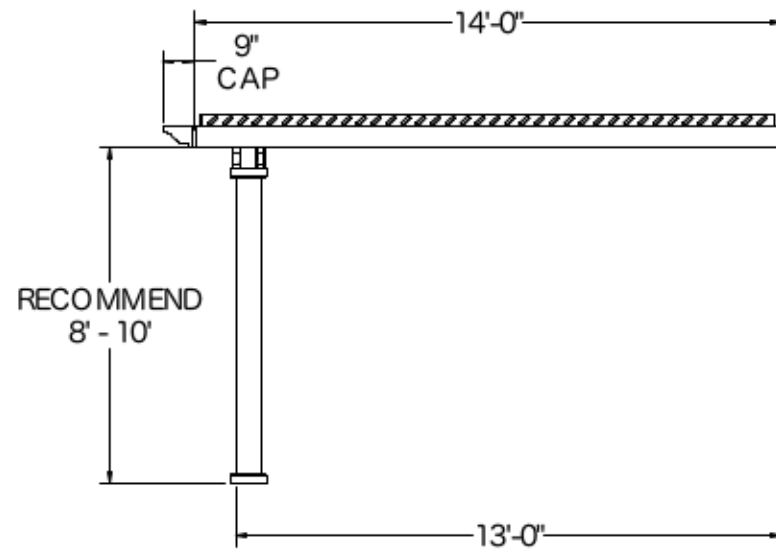
FRONT ELEVATION



Post on Center Measurement

5" Square Post	91"
7" Square Column	85 1/2"
7" Round Column	85 1/2"
10" Round Column	83 3/4"

SIDE ELEVATION



Post on Center Measurement

5" Square Post	153 1/2"
7" Square Column	150 3/4"
7" Round Column	150 3/4"
10" Round Column	149 7/8"

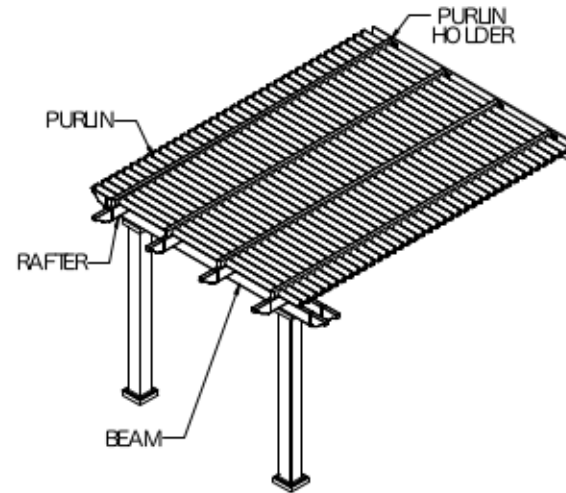
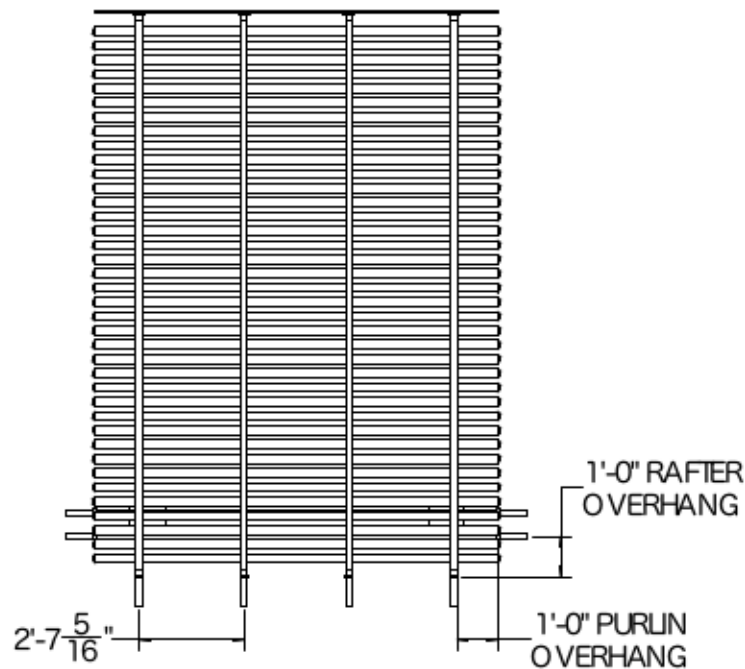
14' x 10' ATTACHED PERGOLA

SunsetPergolaKits.com

1-800-430-1690

Sunset
PERGOLA KITS

PLAN VIEW



STRUCTURAL COMPONENTS

DESCRIPTION	QTY.
7" COLUMN ASSY WITH POSTMOUNT	2
2x6 BEAM WITH ALUMINUM INSERT	2
2x6 RAFTER WITH ALUMINUM INSERT	4
2 x 6 PERGOLA CAP	8
RAFTER HANGER WITH COVER	4
2 x 3 1/2 PURLIN HOLDER	4
2 x 3 1/2 FLAT CAP	8
7/8 x 3 PURLIN (STD SPACING)	38
7/8 x 3 PURLIN CAP (STD SPACING)	76
PVC LEDGER PLATE	1

14' x 10' ATTACHED PERGOLA

SunsetPergolaKits.com

1-800-430-1690

Sunset
PERGOLA KITS